



### Specification

Model	GR200-06	GR200-08	GR300-08	GR300-10	GR300-15	GR400-10	GR400-15	GR600-20	GR600-25
Fluid	Air								
Port size	1/8"	1/4"	1/4"	3/8"	1/2"	3/8"	1/2"	3/4"	1"
Pressure range	0.05~0.9MPa(20~130Psi)								
Proof pressure	1.5 MPa(215Psi)								
Temperature scope	-20~70℃								
Weight	160g		350g			720g		1700g	

### Ordering code

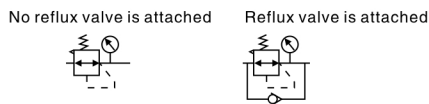
**GR200 — 08 — L — □ — □ — F 1 — T — K**

- GR200**: Model
- 08**: Port size
- L**: Accessories (Blank: Bracket; J: No bracket)
- : Type code (Blank: Standard; L: Lower pressure<sup>①</sup>)
- : Pressure gauge (Blank: Pressure gauge; N: No pressure gauge)
- F**: Pressure gauge shape (F: Square; C: Circular)
- 1**: Scale (1: MPa; 2: psi; 3: bar)
- T**: Thread (T: NPT; G: G)
- K**: Code of reflux valve (Blank: No reflux valve is attached; K: Reflux valve is attached)

Model	Port size
GR200: G200 Series Regulator	06: 1/8" 08: 1/4"
GR300: G300 Series Regulator	08: 1/4" 10: 3/8" 15: 1/2"
GR400: G400 Series Regulator	10: 3/8" 15: 1/2"
GR600: G600 Series Regulator	20: 3/4" 25: 1"

① The maximum work pressure of lower pressure type is 0.4MPa(58psi).

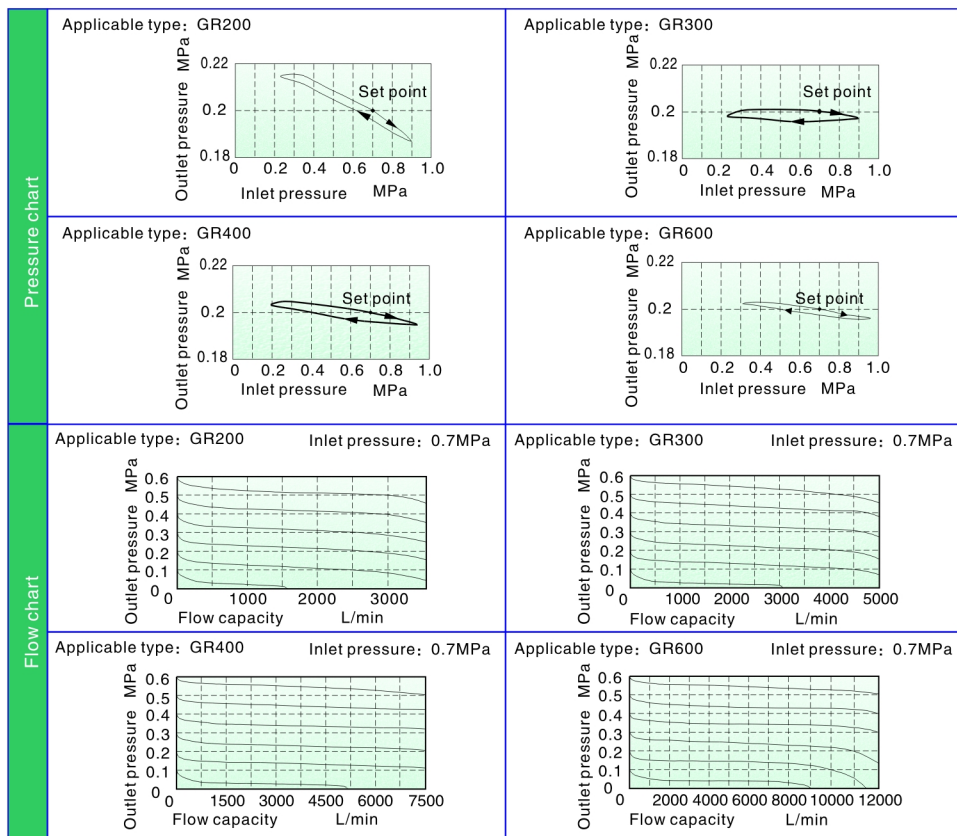
### Symbol



### Product feature

- 1、Embedded square pressure gauge is used to save installation space. (External circular pressure gauge is also optional.)
- 2、The pressed-in self-locking mechanism can prevent the abnormal movement of the set pressure caused by external interfere;
- 3、Balanced design is adopted for the pressure adjustment mechanism.
- 4、In addition to panel installation, the bracket is optional for installation;
- 5、In addition to standard type, lower pressure type is optional (the highest adjustable pressure is 0.4MPa).

### Pressure and feature of flow

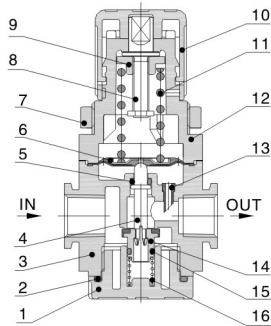


# Preparation unit—Regulator

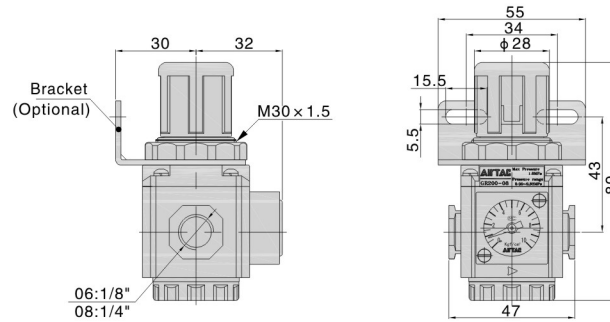
## GR Series

### Inner structure and Material of major parts ■ Dimensions

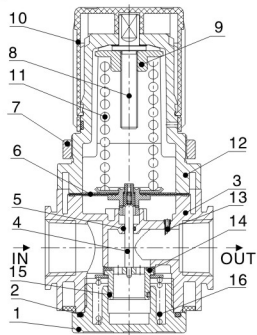
#### GR200



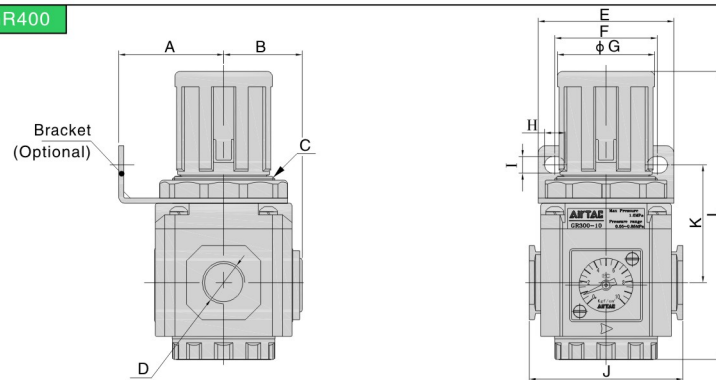
#### GR200



#### GR600



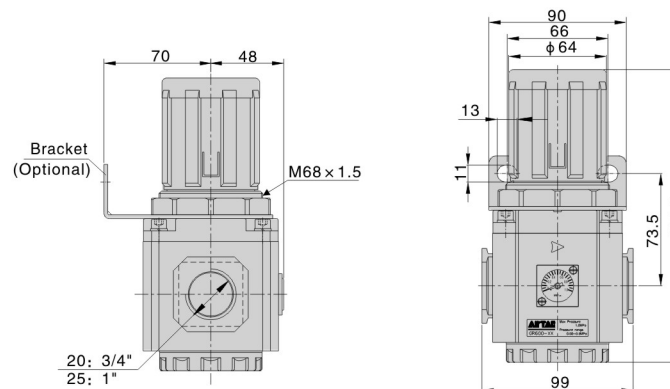
#### GR300 GR400



NO.	Item	Material
1	Valve cap	Aluminum alloy
2	O-ring	NBR
3	Body	Aluminum alloy
4	Spool	Brass(GR600)\POM(other)
5	O-ring	NBR
6	Diaphragm	SUS304 & Rubber
7	Fixed ring	Aluminum alloy(GR600)\POM(other)
8	Adjusting spindle	Steel
9	Regulator nut	Steel
10	Pressure knob	POM
11	Pressure spring	SWC
12	Adjusting seat	Aluminum alloy(GR600)\POM(other)
13	Feed back tube	POM
14	Pressure plug	Brass & Rubber
15	O-ring	NBR
16	Spring	Stainless steel

Model\Item	A	B	C	D	E	F	G	H	I	J	K	L
GR300-08	41	31	M40 x 1.5	1/4"	53	40	38	8	6.5	60	46	112.5
GR300-10	41	31	M40 x 1.5	3/8"	53	40	38	8	6.5	60	46	112.5
GR300-15	41	31	M40 x 1.5	1/2"	53	40	38	8	6.5	60	46	112.5
GR400-10	50	40	M55 x 2.0	3/8"	72	55	52	11	8.5	80	53	140.5
GR400-15	50	40	M55 x 2.0	1/2"	72	55	52	11	8.5	80	53	140.5

#### GR600



GR